



**PAMO**

UPVC Windows & Door Profiles

# Certificates



# CEO Message

We are very thankful to Allah Almighty who has given us the opportunity to serve our customers by supplying top quality products as per their wish and demand.

**PAMO** Plast (Pvt) Ltd is a customer caring company, which aims to manufacture and supply quality products to the end user.

**PAMO** believes that there should not be any sort of compromise on quality. In order to ensure the quality of our products, we have adopted international quality standards. Customer satisfaction is one of our benchmark, so all these quality standards are practiced strictly throughout the company.

With my faith in Allah and belief in the dedication of our staff, I foresee **PAMO** becoming the leading manufacturer and supplier in the years to come.

All these goals cannot be achieved without having professional work force. Fortunately, the staff at PAMO is extremely professional and committed. We will leave no stone unturned in striving for excellence and will utilize all our capabilities to make **PAMO** one of the most acclaimed industries of this era. May Allah ease and bless our way in accomplishing our goals (Ameen).



# About US

For 50 years Data Corporation and M/S Nasir Glass Mart are a well-known name in architectural glass field. Mr. Imran Kamal, director of Nasir Glass Mart has a great vision and knowledge in the field of glass. He found that the customers in Pakistan were facing problem in the installation of Iron and Aluminum windows so he decided to resolve this issue. After a lot of research and market analysis, he found that uPVC windows are the best solution to this problem; therefore, he decided to import uPVC window profile, which is the latest technology and the best solution to the current problem. He started a project under the name of PROFILEZ, and completed many successful projects. He realized that import is not a permanent solution so he decided to install manufacturing facility of this material in Pakistan. He has started a manufacturing plant under the name of **PAMO**.

uPVC windows started in 1980s in Germany, but the actual demand rose in 2010 which saw a revolution in the glazing industry. Currently, there is a high demand for high quality, maintenance-free windows and doors, and uPVC is known for its long-lasting benefits, it's a secure mechanism that provides the properties of noise cancellation and safety. With the kind of extreme weather conditions that Pakistan faces, uPVC is the best choice due to its insulation property. It protects the house and building from heat, rain, thunderstorms, and dust storms.

uPVC delivers on five important aspects of safety, security, sound, solar, and sustainability. This makes uPVC windows and doors the best product choice for architects and common man for all buildings construction such as houses, apartments and commercial buildings. With the experience and vision of **PAMO**, it is the best and most reliable choice of customers.



Our vision is very clear from the day of inception that is to become the market leader in uPVC products through innovation, partnership, flexibility, and compatibility. Our resolve and dedication is to become the largest manufacturer of uPVC in Pakistan and to be recognized nationally and internationally.



## Vision Mission

We will ensure sustainability by adopting upright business practices, employee policies and latest technologies. We endeavor to protect the interests of all our stakeholders and contribute to society at large, by making a measurable and positive difference.

# Window & Door Types

The product line includes

## Openable Window

An openable uPVC window is best suitable solution for sound and thermal insulation. The window is available in fixed, side hung, tilt and turn and georgian windows variations with sashes opening up in outward direction.

### Type of Windows

- Side hung
- Tilt and turn
- Side hung and fixed
- Georgian window
- Bay window



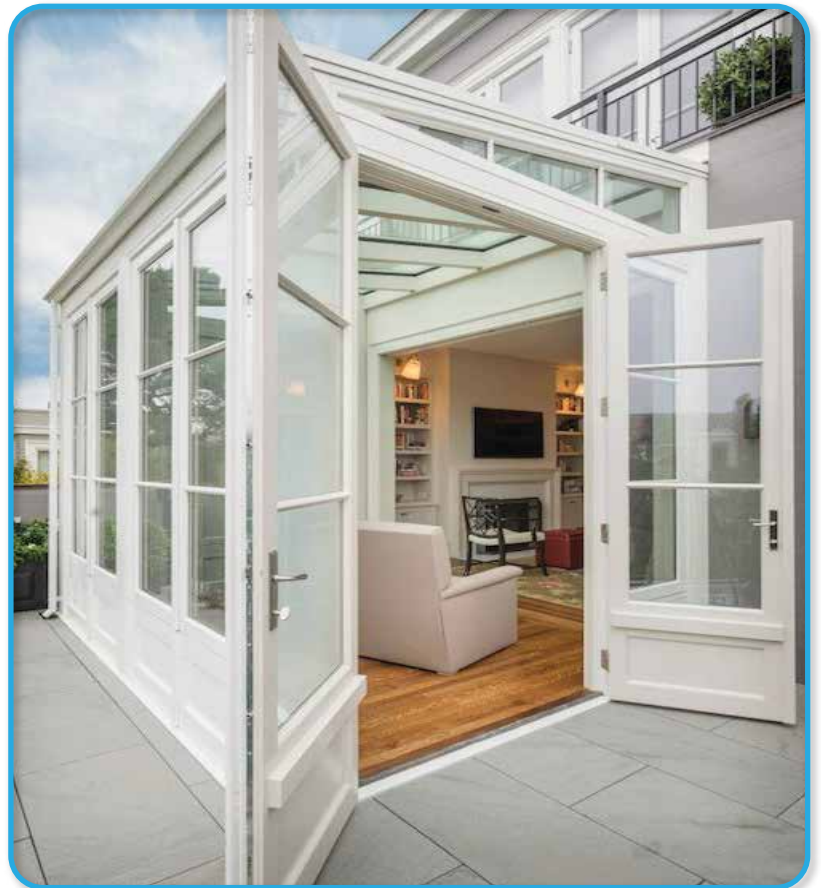
## Openable Door

Ever wondered how do doors get their 'Push' or 'Pull' stickers on them? Casement doors make it possible to open the doors inwards and/or outwards with the help of hinges fixed on a frame are called casement doors.

**PAMO** uPVC front and back doors are stylish because we fabricate them ourselves, we can guarantee you the highest quality. Their multi-chambered profiles of extruded uPVC granules make them thermally-efficient. They will not fade or discolor and are virtually maintenance free. We also fit a locking system, giving you state-of-the-art security. Complete your door with solid or glass panels in a variety of designs.

### Type of Doors

- Outward opening
- Inward opening
- Door with uPVC panel
- Door with uPVC panel & glass



# Window & Door Types

We are bringing the huge range of product line with specialized features

## Sliding Window

Imagine waking up to an image of a beautiful sunrise. With **PAMO** uPVC sliding windows, that can be a reality. With a gentle push, our sliding windows glide open sideways with the help of rollers, offering easy access to the beauty outside. Sliding windows are best suited for apartments, villas and offices. Available in a range of sizes, they can also be fitted with fly mesh depending on individual preferences.

## Type of Windows

- 2 Track 2 Panel uPVC Sliding Window
- 2 Track 3 Panel uPVC Sliding Window
- 2 Track 4 Panel uPVC Sliding Window

This quintessential uPVC window revolutionized the window industry in track uPVC sliding windows are easy to use, functional and cost-effective.



## Differentiating Factors

### Specialities of Pamo UPVC Window

- Co-Extrusion
- Lamination
- Arched
- Combination
- Bay Window
- Primium





## Extrusion Technology

uPVC window machine is mainly used in extruding door & window profile, window sill, wood-plastic indoor decoration profile, wood-plastic outdoor decoration profile. For different sectional surface and die head. Twin conical screw extruder of different specifications can be chosen together with corresponding vacuum calibrating table, haul off unit, cutting unit, tilter.

**PAMO** Plast is offering an extensive range of products that include superior quality uPVC Door & Window Profiles. Demand and requirement of the market is constantly on the rise since its inception through our extensive range of products. Our organization is focused on meeting customer's expectations by serving a superior quality of products that are highly durable, corrosion resistant and energy-efficient keeping in view the world standards. With the support of our diligent professionals, we have been building our respectful position in the market by connecting with our clientele.





## Quality Control

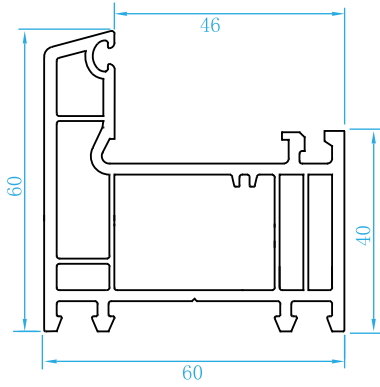
We at **PAMO** are committed to providing quality and achievement of excellence through all our company activities, with the objective of providing customers with the best possible product range and services. We seek to constantly improve our manufacturing process, testing and overall proffering of our quality management system.



# 60mm Openable Series

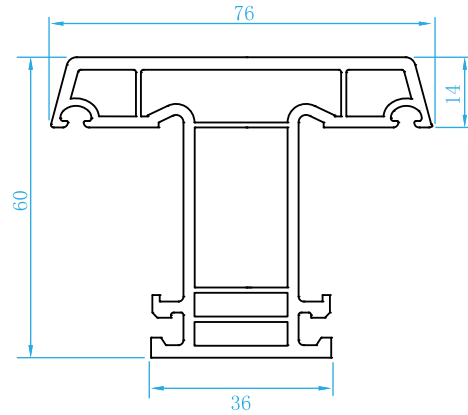
- Four Chamber Structure, Separate drainage slot.
- Inward or outward opening.
- This system can be connected through the couplings of 90, 135, 180 ordinary and arbitrary angles.
- Single, Double & Triple glaze glass from 5mm thickness to 25mm thickness.
- Insulated glass can be installed.
- Cost-conscious design with 2.5mm wall thickness.
- Specially design for heat, sound, termite and pests Proof.
- 100 % water proof.
- Heat protection up to 1.432W/m<sup>2</sup>.
- Sound impounding up to 60Db.
- Zigzag mosquito sash can be installed.

# 60mm Series



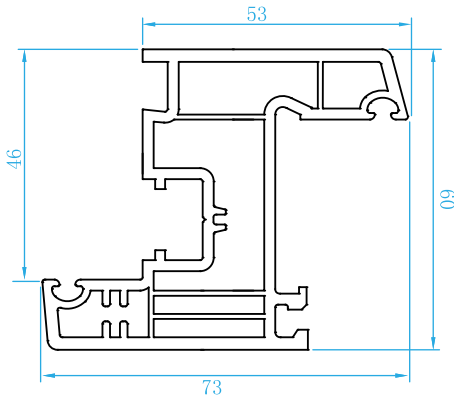
24-1

60 casement frame



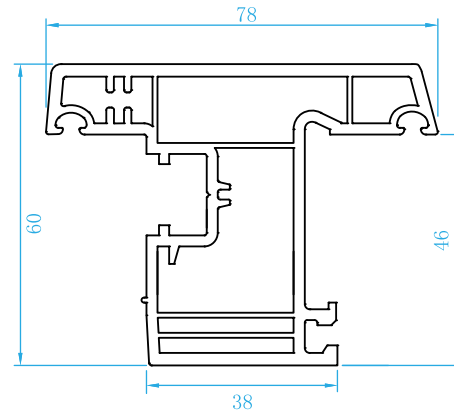
24-3

60 casement mullion



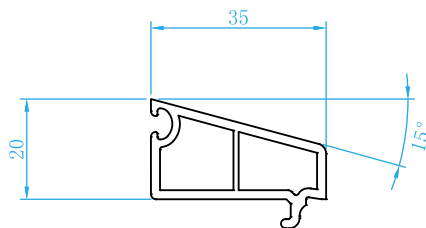
24-5

60 inside sash



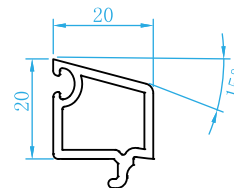
24-6

60 outside sash



24-11

60 single glazing bead



24-12

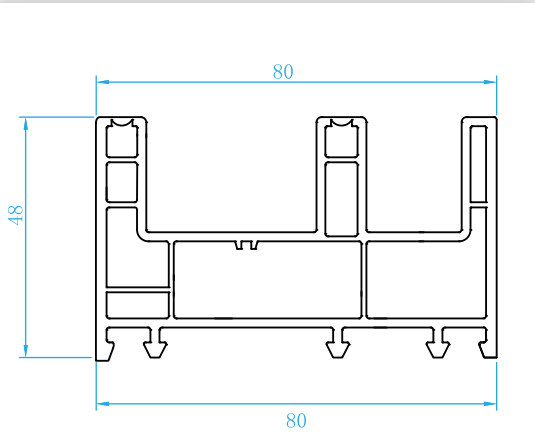
60 double glazing bead



# 80mm Sliding Series

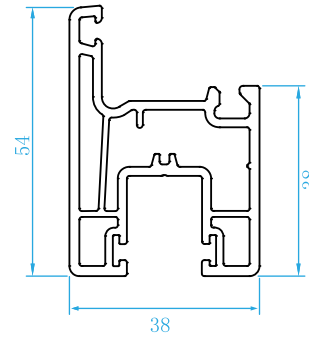
- Three chamber structure, separate drainage slot.
- Cost-conscious design three tracks sliding system with 2.5mm wall thickness.
- Specially design for heat, sound, termite and pests proof.
- 100 % water proof.
- Single, double glaze and insulated glass can be installed from 5mm thickness to 20mm thickness
- Heat protection up to 1.432W/m<sup>2</sup>.
- Sound impounding up to 60Db.
- Sliding mosquito sash can be installed.

# 80mm Series



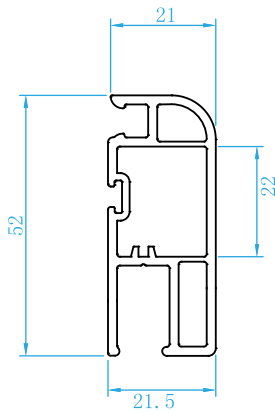
24-13

80 Sliding frame



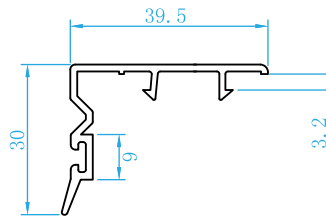
24-14

80 Sliding Sash



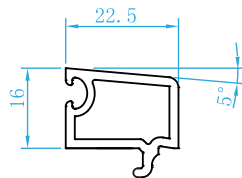
24-15

80 Sliding Mosquito Sash



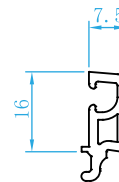
24-17

80 Cover



24-18

80 single glazing bead



24-19

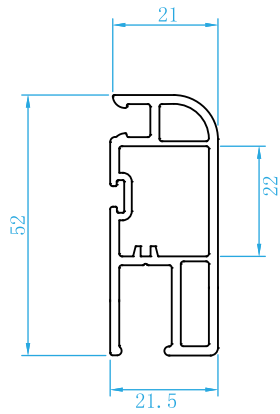
80 double glazing bead



# 88mm Sliding Series

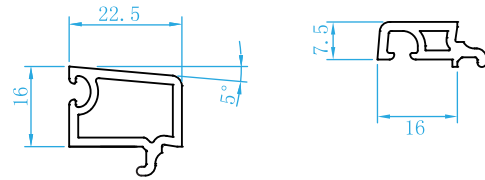
- Four chamber structure, separate drainage slot.
- Cost-conscious design three tracks sliding system with 2.5MM wall thickness.
- Specially design for heat, sound, termite and pests proof.
- 100 % water proof.
- Single, double glaze and insulated glass can be installed from 5MM thickness to 20MM thickness.
- Heat protection up to 1.432W/m<sup>2</sup>.
- Sound impounding up to 60Db.
- Sliding mosquito sash can be installed.

# 88mm Series



24-15

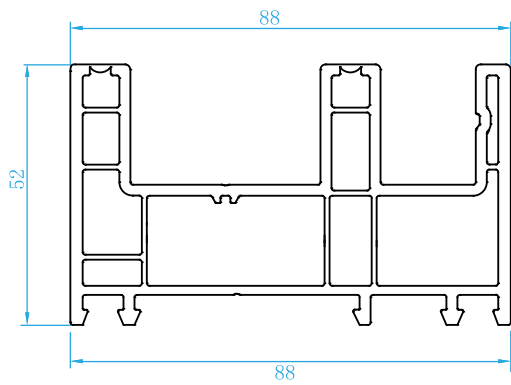
88 Sliding Mosquito Sash



24-18

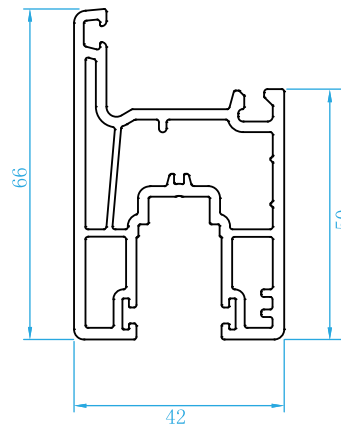
24-19

Beadings



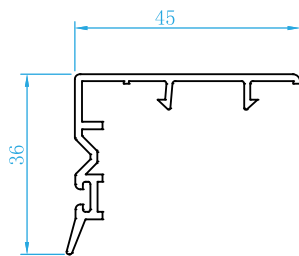
24-20

88 Sliding Frame



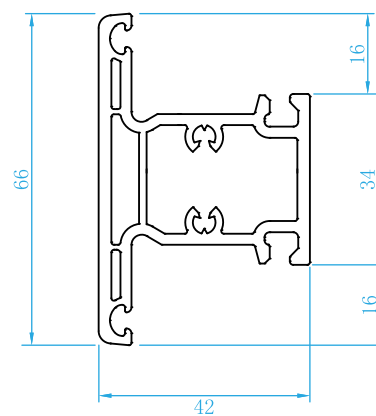
24-21

88 Sliding Sash



24-23

88 Cover



24-24

88 Sash Mullion

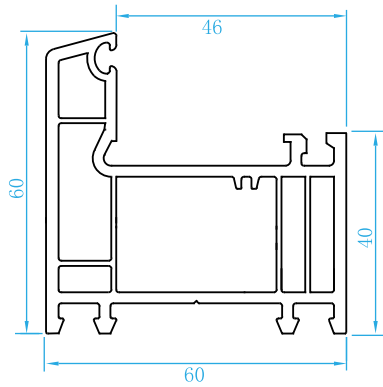
# Door Series



- Four chamber structure, separate drainage slot.
- Inward or outward opening.
- This system can be connected through the couplings of 90, 135, 180 ordinary and arbitrary angles.
- Single, double glaze and insulated glass can be installed from 5mm thickness to 20mm thickness.
- Cost-conscious design with 2.5mm wall thickness.
- Specially design for heat, sound, termite and pests proof.
- 100 % water proof.
- Heat protection up to 1.432W/m<sup>2</sup>.
- Sound impounding up to 60Db.
- Double side locking system.

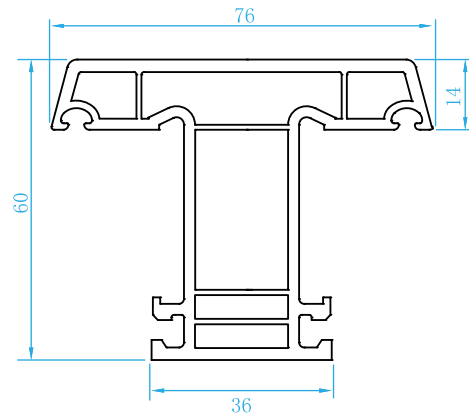


# Door Series



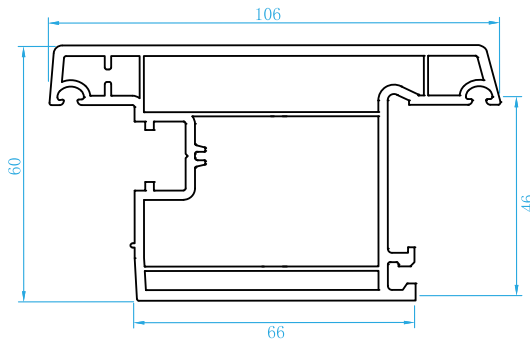
24-2

Door casement frame



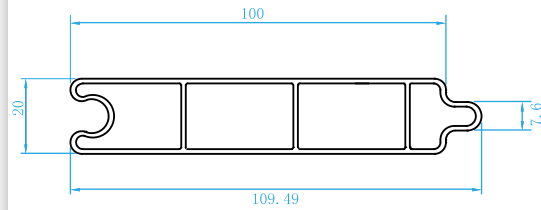
24-4

Door casement mullion



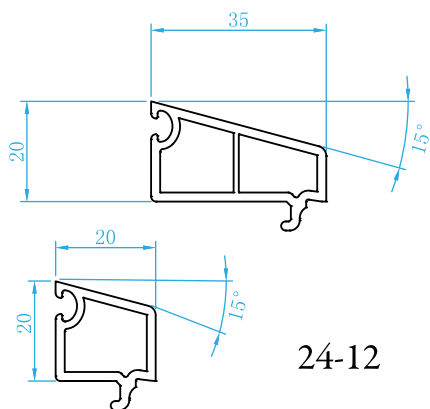
24-7

Outside Door Leaf



24-8

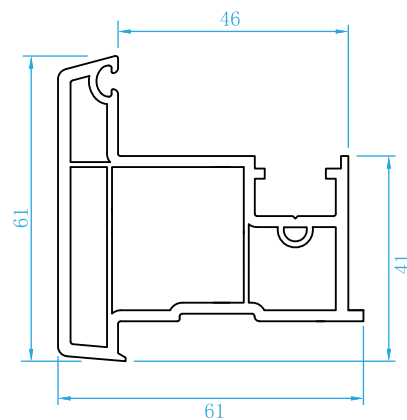
Door Panel



24-11

Beadings

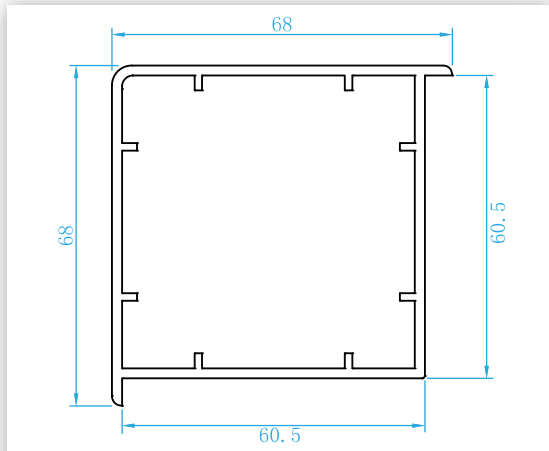
24-12



25

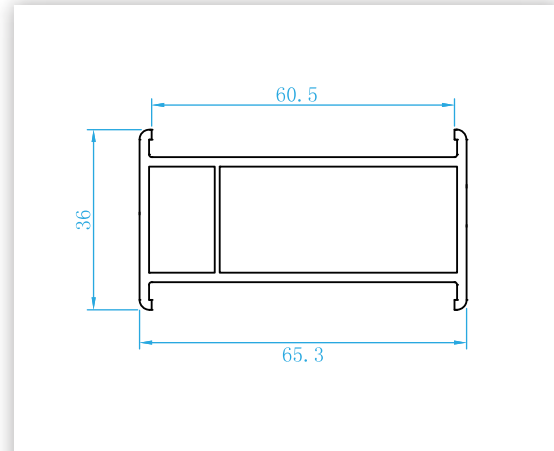
Floated Mullion

# Auxiliary Series



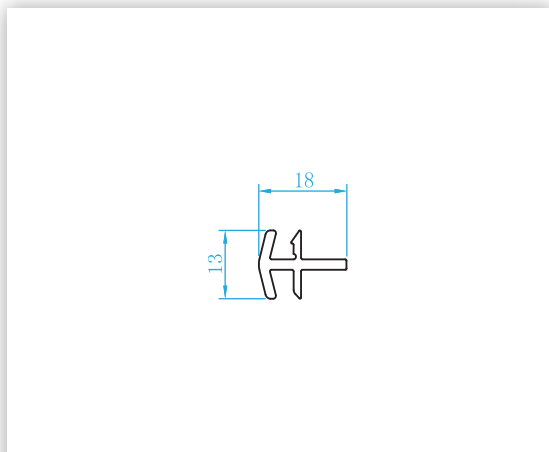
24-9

60 Corner



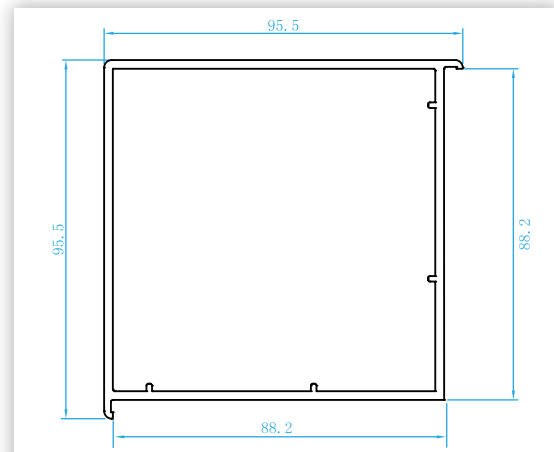
24-10

60 Pin



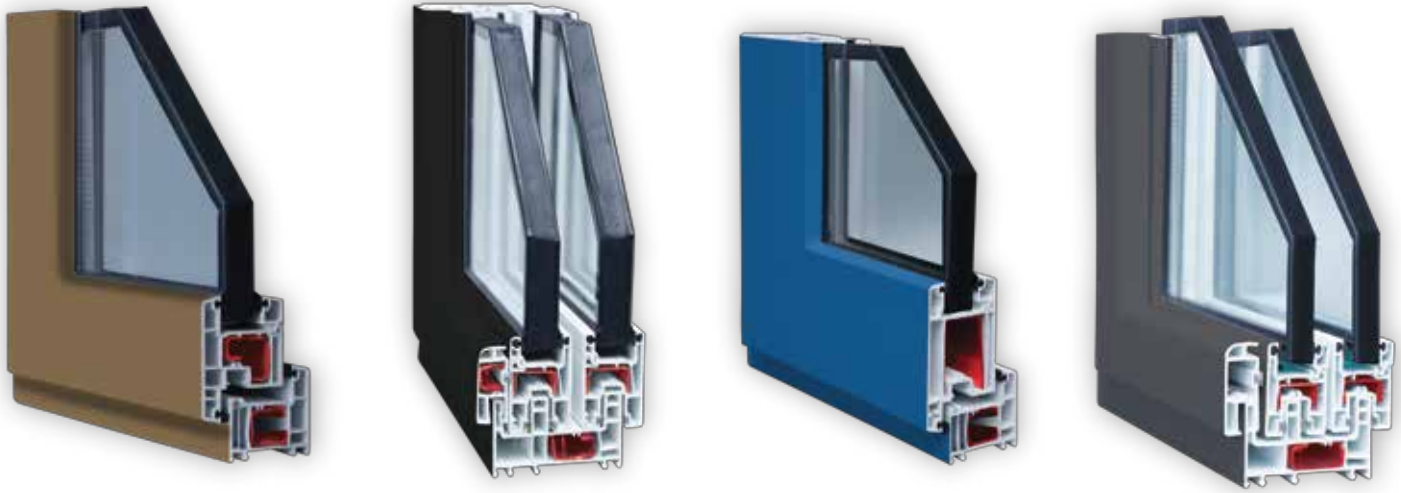
24-16

Pin



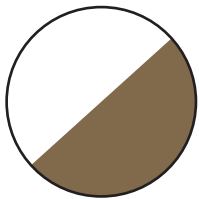
24-22

80 & 88 Corner

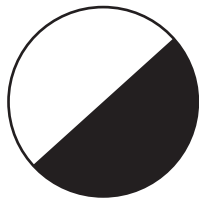


All series available with

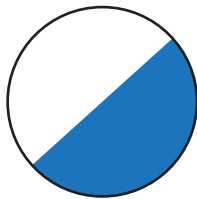
## Dual Color Profile Extusion Technology



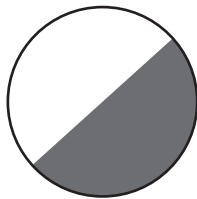
Champaign



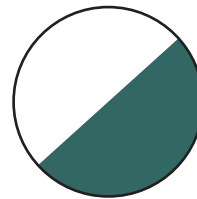
Black



Blue



Grey



Green

&

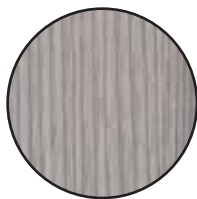
## Leminated Profile



Golden Oak



Dark Oak

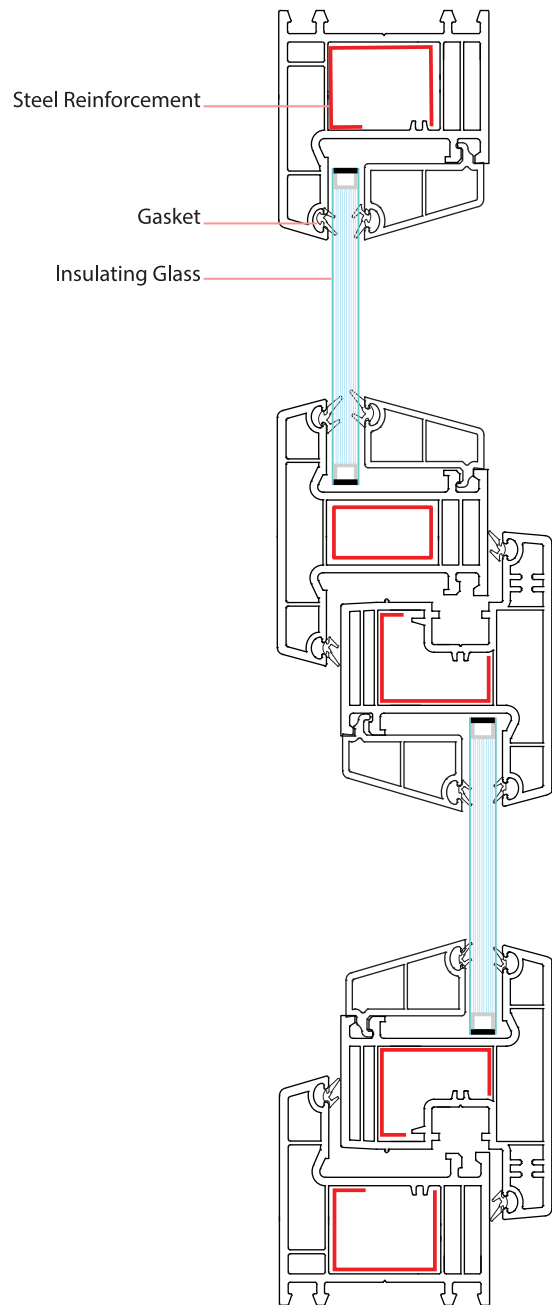


Elm B

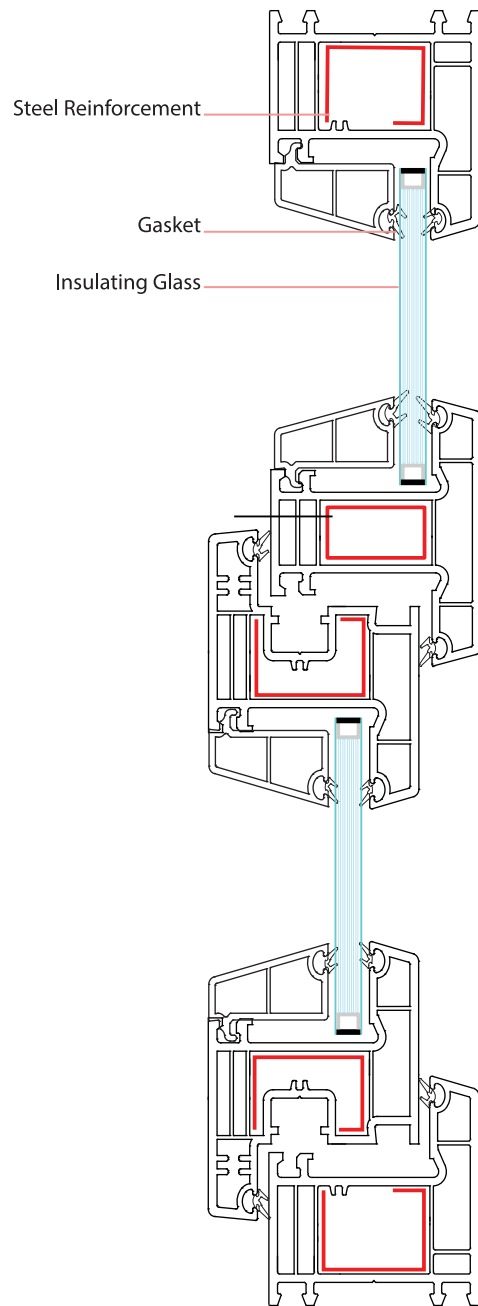
# Assembly Drawing

## 60mm Series

### Out Side opening

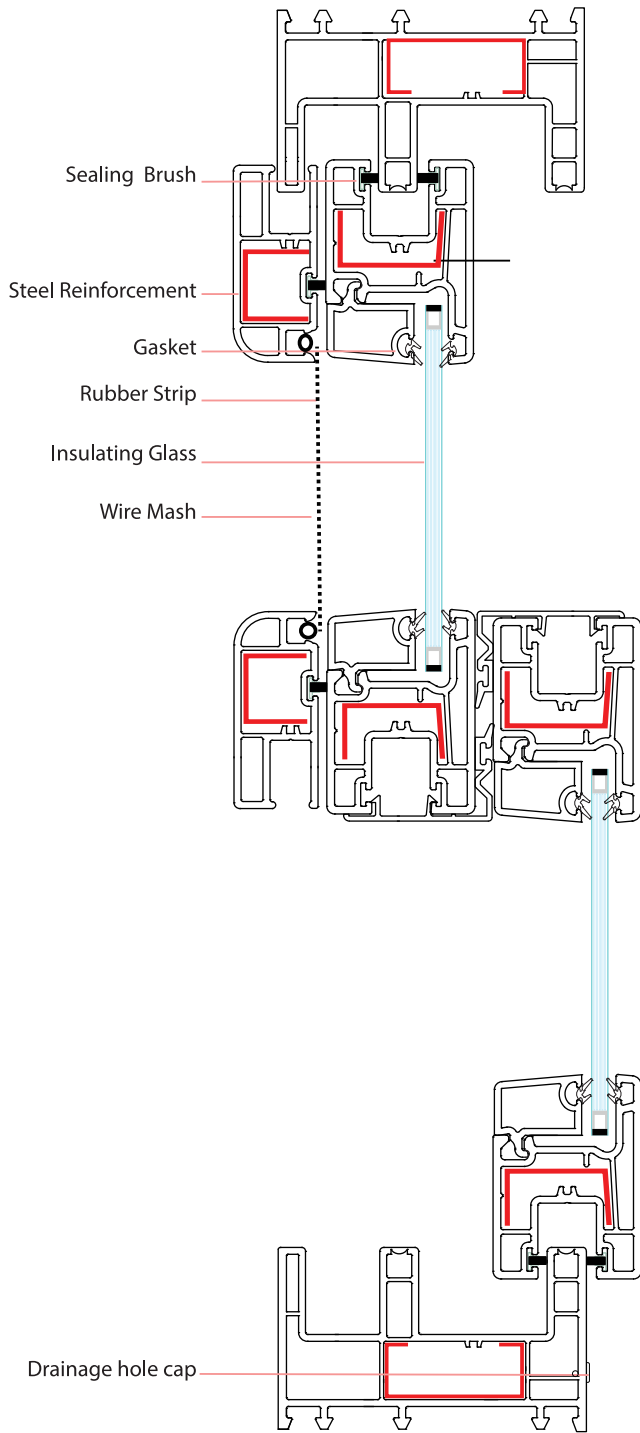


### Inside Side opening

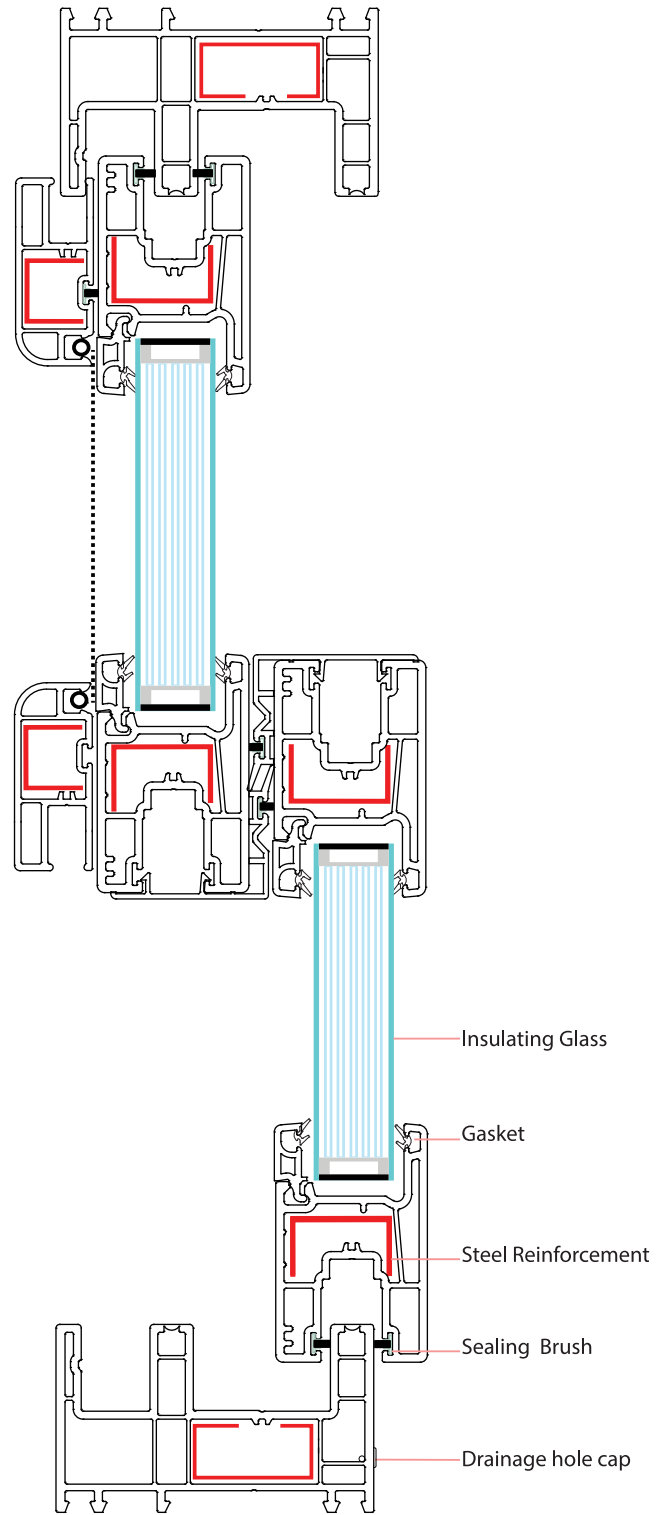


# Assembly Drawings

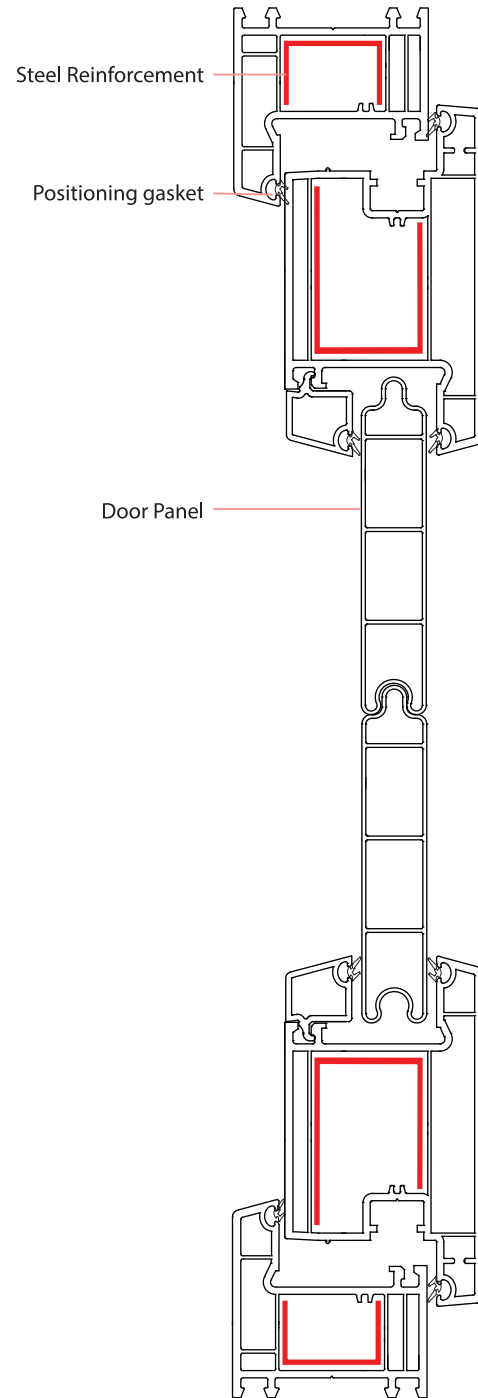
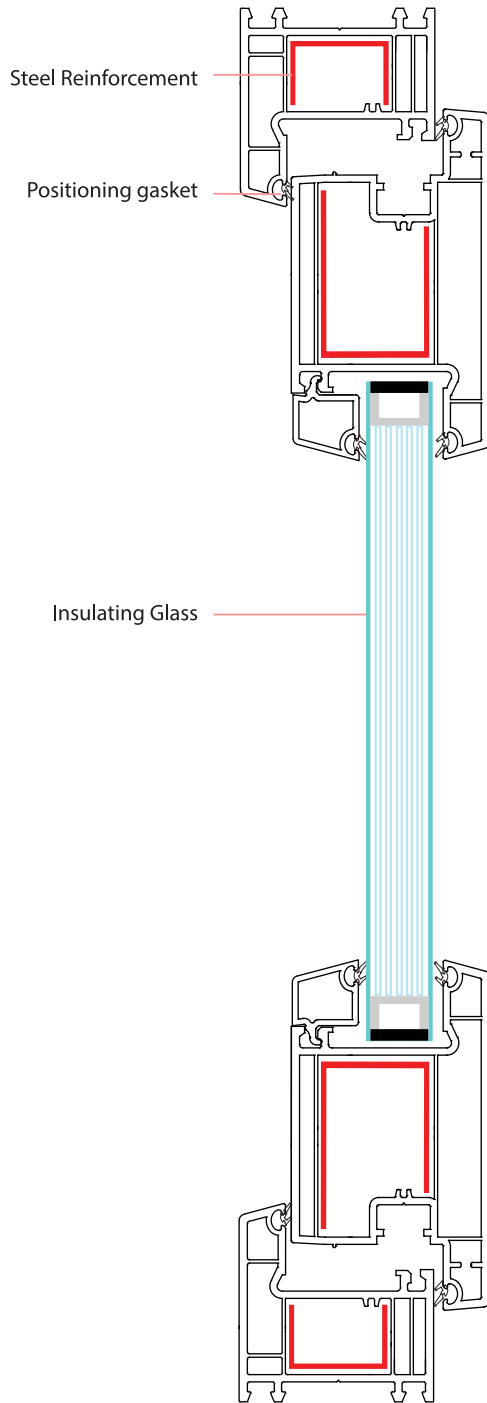
## 80mm Series



## 88mm Series



## Door Series



# Features of uPVC Windows



**Great contributor to aesthetics**



**Energy Saver**



**Thermal Insulator**



**Termite Resistant**



**Pest Resistant**



**Sound Proof**



**Weather Proof**



**Water Proof  
Material**



**Low  
Maintenance**



**Wind Resistant**



**High Durability**



**Eco Friendly**



**Safe**



## **Pamo Plast (Pvt) LTD.**



Head Office:

3-A Cooper Road, Lahore

+92 42 37242985, 37310627



Marketing & Sales Office:

Commercial Avenue,

31-Sarwar Road, Lahore-Cantt

+92 42 36653377, 36684920



Factory:

Khanpur Canal, 27-KM Sheikhu Pura Road



Web & Mail:

[info@pamoplast.co](mailto:info@pamoplast.co) [www.pamoplast.co](http://www.pamoplast.co)